

## TECHNICAL SPECIFICATIONS

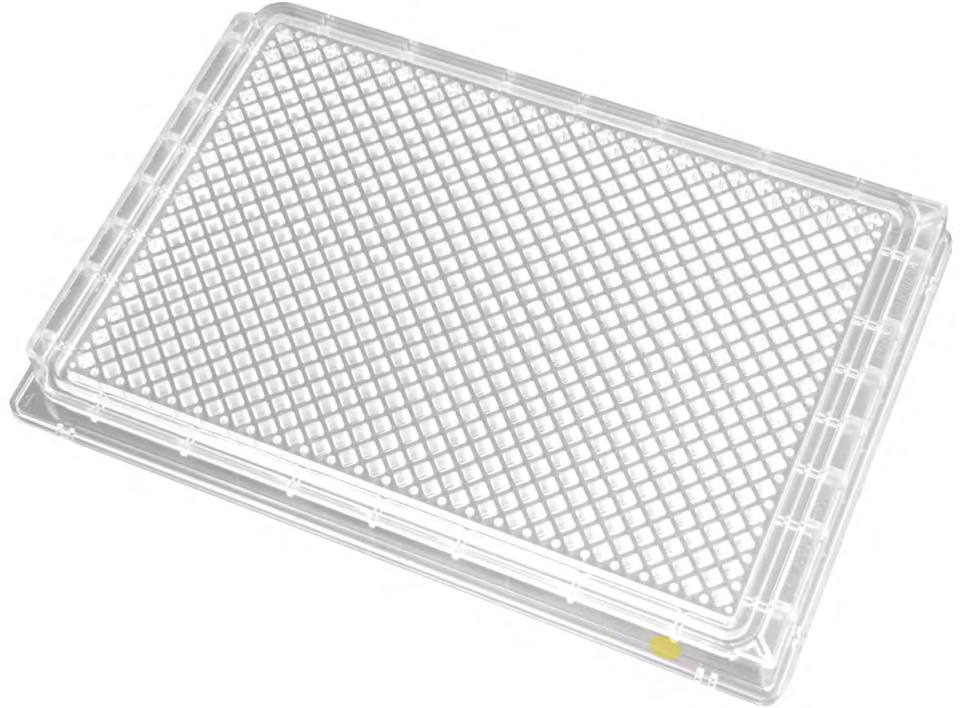
Version 2.0 | OCT 2017

# Echo<sup>®</sup> Qualified 384LDV PLUS

## SOURCE MICROPLATE

### Introduction

The Echo<sup>®</sup> Qualified 384-Well Low Dead Volume (LDV) PLUS microplate is designed for use with the Echo<sup>®</sup> 525 Liquid Handler. Its low dead volume design enables efficient aqueous liquid transfers. This microplate is constructed of Cyclic Olefin Copolymer (COC) for optimal acoustic transfer performance and reagent storage. Each lot of microplates is tested and certified to meet stringent performance specifications. This microplate is available barcoded.



### Key Features

- **Echo Qualified - lot tested to guarantee Echo liquid handler performance**
- **Working range:** 4.5 - 14  $\mu\text{L}^*$
- **Dead volume:** 4.5  $\mu\text{L}^*$
- **RNase/DNase free**
- **Barcoded plates available**
- **10 plates per anti-static bag**

*\* Working range and dead volumes may vary with fluid type.*

### Ordering Information

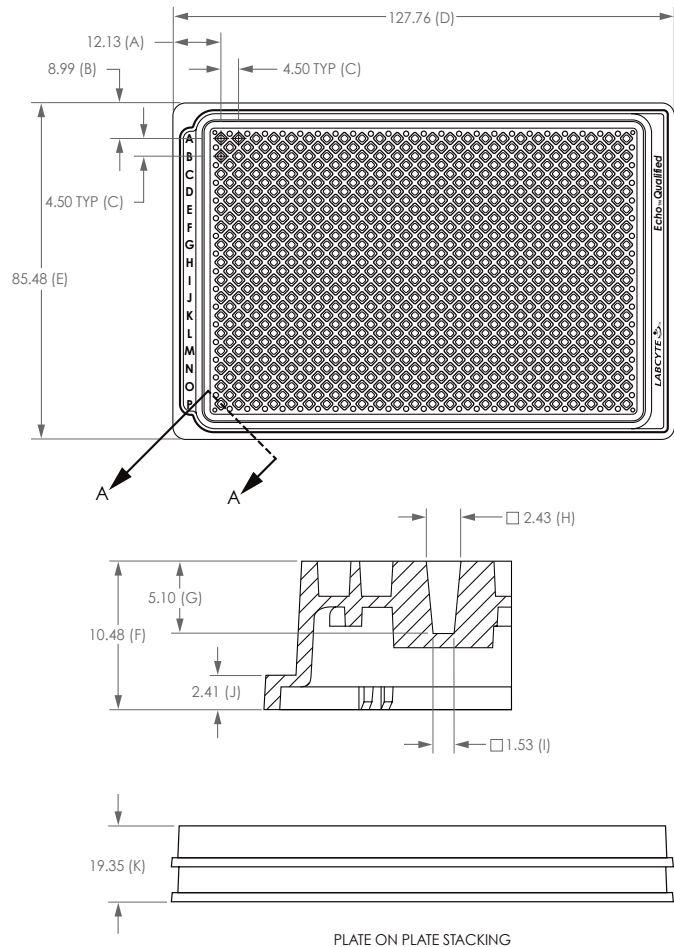
Part Number	Description
LPL-0200	Echo <sup>®</sup> Qualified 384-Well LDV PLUS Source Microplate, COC, Clear, Flat Bottom, 50 plates/case
LPL-0200-BC	Echo <sup>®</sup> Qualified 384-Well LDV PLUS Source Microplate, COC, Clear, Flat Bottom, Barcoded, 50 plates/case



Specifications	
Composition	Cyclic Olefin Copolymer (COC)
Format	384-well
Color	Clear
Well shape	Diamond
Well bottom	Flat
Working volume range	4.5 – 14 µL*

\* Working and dead volumes may vary with fluid type.

Dimensions	
A1 column offset (A)	12.13 mm
A1 row offset (B)	8.99 mm
Well spacing / pitch (C)	4.5 mm
Plate length (D)	127.76 mm
Plate width (E)	85.48 mm
Plate height (F)	10.48 mm
Well depth (G)	5.10 mm
Well top (H)	2.43 x 2.43 mm
Well bottom (I)	1.53 x 1.53 mm
Flange / skirt height (J)	2.41 mm
Plate stacking height (K)	19.35 mm



## Sealing Recommendations

**Adhesive Sealing** — We recommend using an adhesive seal with the 384LDV Plus microplate. We have verified the performance of two adhesive seals for the 384LDV Plus microplate - UniSeal (Whatman/GE; P/N 7704-0001) and MicroAmp Clear (ABI/Thermo; P/N 430 6311). Please follow the manufacturers' sealing and peeling instructions. Other adhesive seals may also work, but have not been tested by Labcyte.

**Heat Sealing** — While heat sealing the 384LDV Plus microplate is possible, an initial seal must be performed at a significantly higher temperature than is typical and additional processing steps may be required. Please contact your local Labcyte representative for more information.

## Barcoding

Labcyte provides customizable barcoding services for our complete line of microplates. Faultless quality control ensures every microplate is barcoded accurately, with no duplicate numbers and no unreadable codes. We also provide the following benefits:

- **Sequential packaging simplifies storage and usage**
- **Flexible, customizable coding options give you a choice of code types and barcode positions on microplates**
- **Barcode sequence database storage eliminates the need to fill out forms and avoids repeats of barcode sequences for repeat orders**



**LABCYTE INC.**  
 170 Rose Orchard Way  
 San Jose, CA 95134 USA  
 Toll-free: +1 877 742-6548  
 Fax: +1 408 747-2010

**SALES**

North America	+1 408 747-2000	info-us@labcyte.com
Europe	+353 1 6791464	info-europe@labcyte.com
Japan	+81 03 5530 8964	info-japan@labcyte.com
Asia	+61 39018 5780	info-asia@labcyte.com
Other	+1 408 747-2000	info-us@labcyte.com

All product names and brands are properties of their respective owners.

© 2017 LABCYTE INC. All rights reserved. Labcyte®, Echo®, MicroClime®, the Labcyte logo, and Access™ are registered trademarks or trademarks of Labcyte Inc., in the U.S. and/or other countries.

FOR RESEARCH USE ONLY. Not for use in diagnostic procedures.